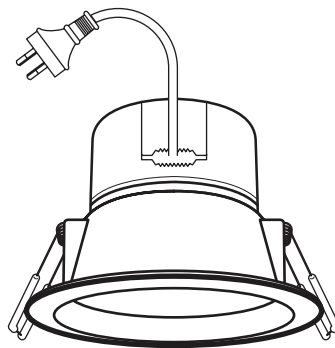
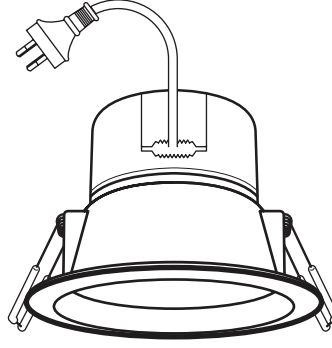


DLI70 Series



DLI90 Series



DLI125 Series



Class II construction



Dimmable



IC-4 Insulation Rating



IC-F Insulation Rating

1 Specifications

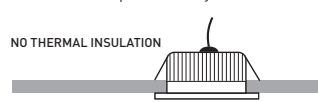
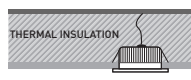
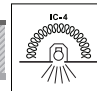

Fascia Colour	Cat. No.					
WHITE	DLI7001	DLI7002	DLI9001	DLI9002	DLI12501	DLI12502
BRUSHED CHROME	DLI7003	DLI7004	DLI9003	DLI9004	DLI12503	DLI12504
BLACK	DLI7003BL	DLI7004BL	DLI9003BL	DLI9004BL	-	-
Supply Voltage	230-240 V a.c. 50Hz					
Input Power	5.0 W			7 W		
Power Output	4.3 W			6 W		
Power Factor	0.9			-		
Lumens Output	505 lm	515 lm	700 lm	820 lm	700 lm	820 lm
Colour Temperature (Nominal)	3000K	4000K	3000K	4000K	3000K	4000K
Colour Rendering Index (CRI)	80+					
Beam Angle	90°		85°		90°	
IP Rating	IP44*					
Ceiling Cut-out Size	Ø70 mm		Ø90 mm		Ø125 mm	
Depth into Ceiling	66 mm		70 mm		76 mm	
Fascia Size	Ø94 mm		Ø111 mm		Ø150 mm	

* IP Rating: Front Face when installed as per instructions

2 Installation

1. Cut-out a hole in the ceiling. Refer to "Ceiling Cut-out size" in the Specifications section for the cutout size.
2. Connect mains cable.
3. Fold back spring clips and insert into cut-out.

3 LED Downlight Lamp Life

Cat. No.		
DLI70 Series	35,000h	Rated Average Lamp LED Life @ 25°C when installed with the default insulation clearances specified by AS/NZS 3000  NO THERMAL INSULATION
DLI90 Series		
DLI125 Series		
DLI70 Series	20,000h	Rated Average Lamp LED Life @ 25°C when installed with the thermal insulation abutting and covering the fixture in accordance with the IC-4 and IC-F rating specified in AS/NZS 60598.2.2  THERMAL INSULATION  
DLI90 Series		
DLI125 Series		

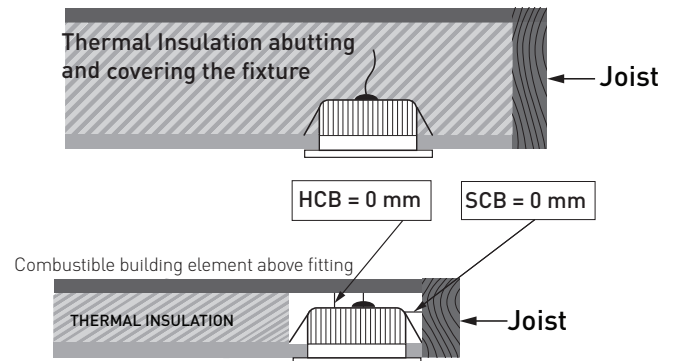
Note: This form of installation complies with the Wiring Rules AS/NZS 3000 requirement for recessed downlights, clause 4.5.2.3.1 (i).

4 Insulation Rating

This series of downlights has achieved an IC-4 and IC-F insulation rating in accordance with AS/NZS 60598.2.2.

A type IC-4 and IC-F luminaire can be installed with building insulation material that can safely be exposed continuously to temperatures up to 90°C. Such insulation can cover and abut the side of the luminaire. However, the driver's lifespan will be affected.

Refer to the diagram shown on the right for clarification.



Note: Not suitable for use with loose-fill insulation.

If installed in accordance with the IC-4 and IC-F rating, insulation shall have a minimum temperature rating of 90°C.

No clearance is required from structural members and building elements (SCB & HCB = 0 mm).

SCB - Side Clearance to Building element: Minimum distance between the side of the recessed luminaire and any building element.

HCB - Height Clearance to Building element: Minimum distance between the top of the recessed luminaire and any building element above it.

5 Dimming

This series of downlights are dimmable with trailing edge dimmers only. We recommend the following dimmers only.

Cat. No.	DLI70 Series		DLI90 Series and DLI125 Series	
	DOWNLIGHTS QTY PER DIMMER	DIMMING RANGE	DOWNLIGHTS QTY PER DIMMER	DIMMING RANGE
Legrand EM400A3P, AR400A3P	16 max	1% - 100%	12 max	1% - 100%
Legrand EM400A2P	16 max	7% - 89%	12 max	9% - 97%
Legrand EM400T, AR400T	16 max	8% - 94%	12 max	7% - 100%
HPM 400T	16 max	8% - 94%	12 max	7% - 100%
Legrand EM250T	11 max	7% - 100%	8 max	7% - 100%
HPM 250T	11 max	7% - 100%	8 max	7% - 100%
HPM 700T	28 max	15% - 100%	21 max	13% - 100%
HPM1000T	40 max	18% - 100%	30 max	16% - 100%

Product Notes

1. This product must be installed and used as per these instructions. **2.** An IP rating of IP44 is generally considered suitable for external walls with supplementary protection such as overhanging eaves. **3.** The IP rating of this product is only valid when installed on a flat and non-porous surface. Additional sealing may be required for irregular surfaces. **4.** This product contains no serviceable parts and no attempt should be made to repair this product. If the product is faulty it should be discarded. **5.** This product is not suitable for installation in hazardous and/or corrosive areas. **6.** Electrical installations periodically receive transient over-voltages. This product has been designed to minimise the effect of such voltages on connected equipment. It may not give full protection for extreme over-voltage transients such as those resulting from a close lightning strike. **7.** This product utilises intellectual property in the form of registered designs, trademarks, and/or patents. Such intellectual property remains the property of Legrand in all cases. **8.** This product has been designed to operate in ambient temperatures: -5°C to 25°C, occasionally reaching 35°C. **9.** The material in this product may vary in colour from batch to batch. Colour matching from one batch to another cannot be guaranteed. **10.** Legrand reserves the right to modify the specification of this product at any time.

Warranty

■ Legrand ("we or us") has given each purchaser who is a consumer ("you") a warranty against defects in its products.

■ As a consumer, you are entitled to the benefit of the Warranty and should read and understand its terms. In addition, for the purposes of the Australian and New Zealand Consumer Laws, we note the following:

- If we accept your claim under the Warranty we will reimburse all your reasonable expenses in making and pursuing the claim, including the cost of reimbursement of any defective products returned in the ordinary course to us at the address above by post or other agreed means. Any such claim must be made within 14 days of your receiving notice of our acceptance of your claim and include any necessary supporting documentation or invoices.
- As a consumer, you have rights under the Australian and New Zealand Consumer Laws and may have rights under other applicable laws which cannot be excluded, restricted or modified. Those rights are in addition to any rights you have under the Warranty.
- Legrand warrants this product for a period of 3 years from the date of purchase. Our goods (which we refer to in the Warranty as the Products) come with guarantees that cannot be excluded under the Australian and New Zealand Consumer Laws. You are entitled to a replacement or a refund for a major failure and compensation for any other reasonably foreseeable loss or damage. You are also entitled to have the goods repaired or replaced if the goods fail to be of acceptable quality and the failure does not amount to a major failure.

■ Our contact details for the purpose of any claims made under the Warranty are below. Any claim under the Warranty must be sent in writing to the following address:

AUSTRALIA ONLY
 Legrand Australia Pty Ltd
 Nexus Industry Park
 Bldg 4, 43-47 Lyn Parade
 PRESTONS, NSW 2170
 1300 369 777
 sales.orders@legrand.com.au

NEW ZEALAND ONLY
 Legrand New Zealand Ltd
 106-124 Target Rd
 GLENFIELD, AUCKLAND
 0800 476 009
 nz.sales@legrand.co.nz

